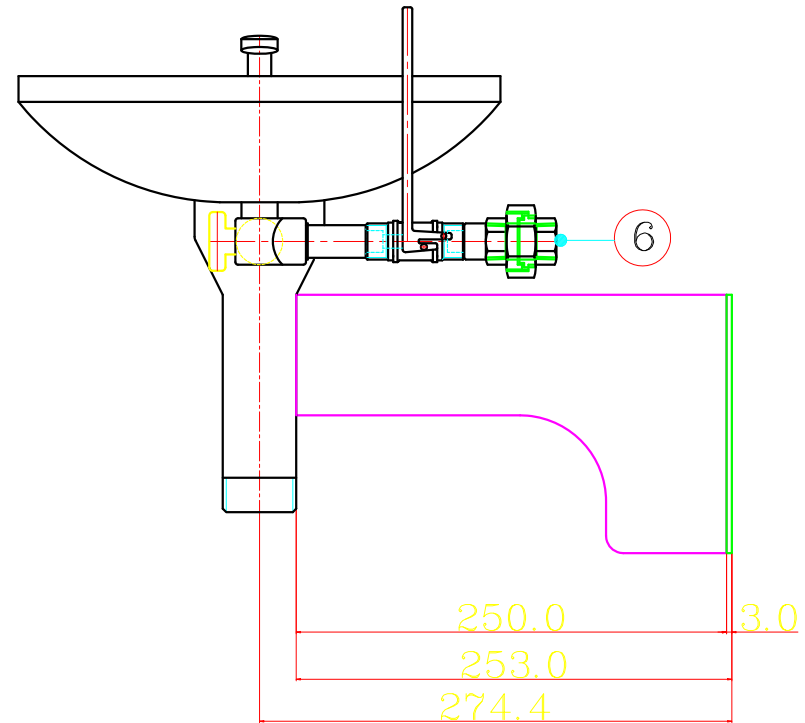
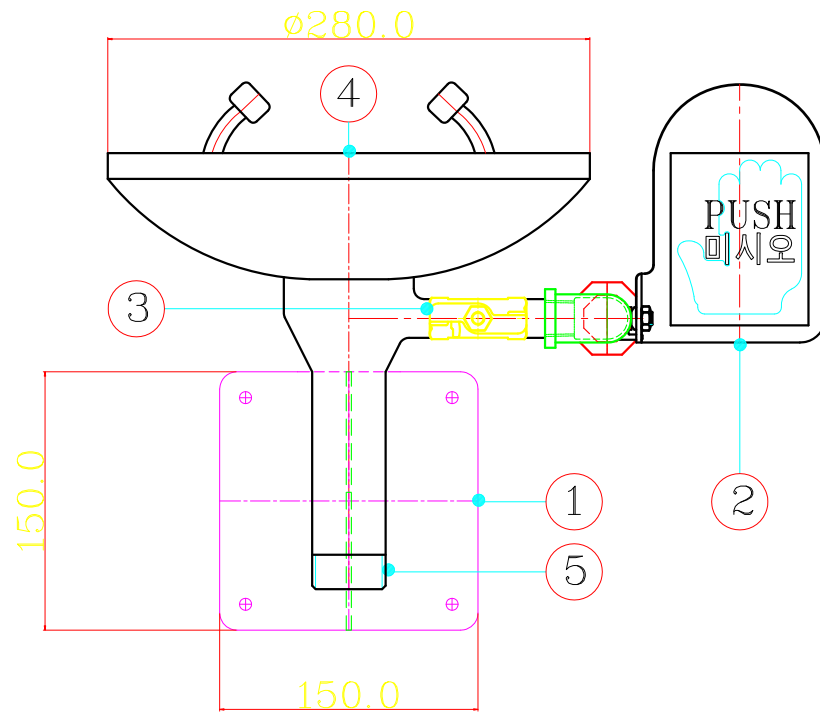


PARTS LIST

NO.	NAME OF PARTS	MAT'L	Q'TY	SUMMARY
1	벽부착 프레임	SUS304	1	T=3.0
2	PUSH HANDLE	SUS304	1	T=2.0
3	압력 조절 V/V	SUS304	1	1/2"
4	EYE WASHER HEAD	SUS304	1	∅280.0
5	배수 NIPPLE	SUS304	1	1 1/4"
6	입수 UNION	SUS304	1	1/2"



ITEM NAME					
DRAWING NAME					
EYE WASHER					
SCALE	1/1	DWG. NO.	080703-01		
ORDER NO.		ITEM NO.		SERIAL NO.	
ORDER NAME	영원 인더스트리				